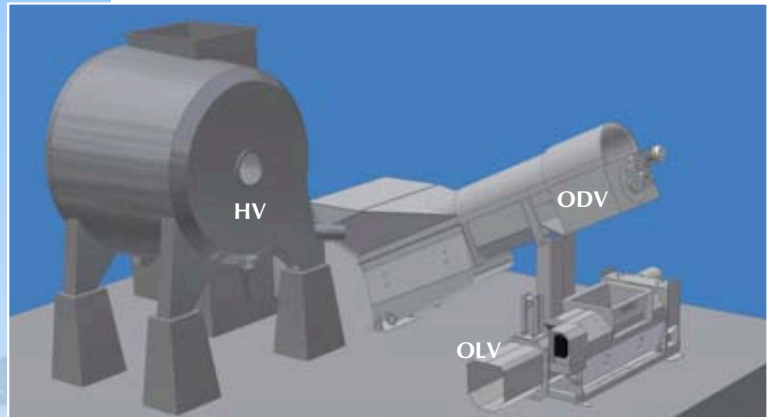


- low energy consumption
- high resistance against screen fouling
- simply and easy operation and maintenance
- easy replacement of all parts
- long service life

**Advantages**



Installation of rejects dewatering conveyor ODV to horizontal pulper HV

**Rejects dewatering conveyor ODV** is used for **primary dewatering of coarse rejects particularly** from waste paper pulper (horizontal or vertical). Together with a rejects dewatering press OLV-600 they create a complex stage of thickening and compaction of coarse rejects from pulper chest.

**Design**

It is in fact a worm conveyor, in its bottom part equipped with dewatering screens (slotted or bored) that are protected against direct contact with the worm by means of protecting bars. Its chute, where rejects are loaded periodically, is in fact a hopper box from which the worm continuously takes a part of the stock away to be dewatered on screens by gravity. In case of rejects with a significant share of fibres (e.g. from separator PSN) conveyor can be additionally completed with a shower tube. The conveyor usually brings thickened rejects in a height of 2,3 m (above flooring) where they leave the conveyor. If required, its length (height) can be adapted to actual on-site conditions.

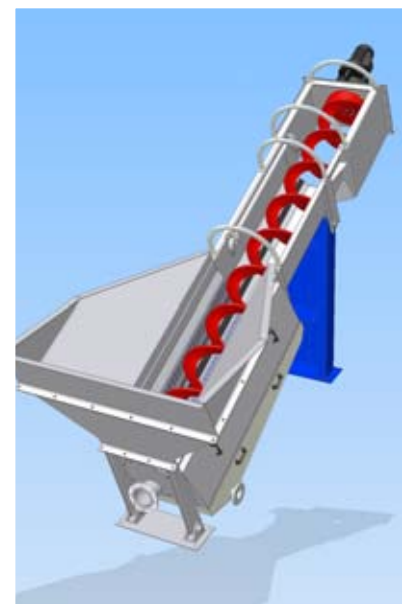
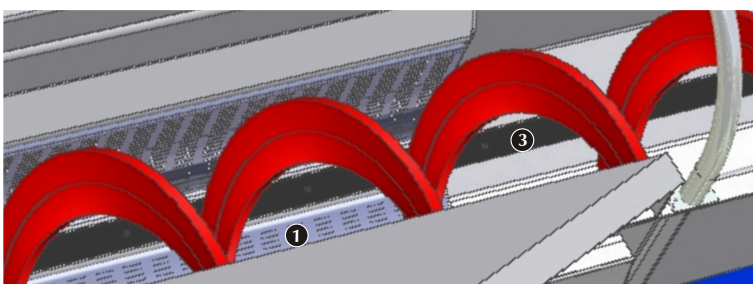
Machine design and work safety are in compliance with EU standards.

**Material**

All parts coming in contact with the stock are made of stainless steel AISI 321 or AISI 316 Ti. The worm is made of structural steel St 52, protecting bars are of special abrasion-resistant stainless steel.

**Main parts**

- dewatering screens in bottom conveyor part (1)
- worm (2)
- protecting bars (3)
- hopper box (4)
- collecting chute (5)
- shower tube (6)
- electric motor (7)
- supporting stand (8)



**TECHNICAL PARAMETERS**

Usable hopper capacity	m <sup>3</sup>	3
Input fibres consistency	%	max. 0,5
Output dryness of reject	%	10 - 15
Capacity of dewatered waste	tpd	10 - 15
Consumption of washing water	l/min	100
Pressure of washing water	kPa	300 - 500
Worm diameter	mm	600
Dimensions HxWxD	mm	3940 x 2200 x 6600
Total weight	kg	3250

