



MOVI SVU 20M

Combined cleaners MOVI VO, MOVI VU (SVU) belong to a family of centrifugal cleaners with a free whirl and discharge of separated impurities into a collecting box or collecting piping. These cleaners work reliably in **separation of specifically heavy and light impurities and at the same time in deaerating of paper stock.**

Design

These cleaners differ from each other in design, size and throughput and they can be operated either independently or in multistage station. According to their output body they are of opened design (VO) - impurities are discharged continuously into collecting piping - or of closed design (VU) - provided with a collecting box from which the reject is discharged manually (M) or automatically (A). Moreover, cleaners modular system provides a simple conversion of particular types.

Material

These cleaners are manufactured in several type sizes always based on uniform design with high unification of parts. Materials used for MOVI VO, VU (SVU) cleaners are based on standard combination "stainless steel-ceramics-plastics" (stainless steels AISI 321 or AISI 316 Ti).

OPENED CLEANER MOVI VO

This cleaner is designed for highly efficient fine separation of specifically heavy, light, sticky and conic impurities from thin stocks. Separation of light impurities (polystyrene etc.) runs parallelly with stock deaeration. Moreover, it reliably removes sand and contingent larger impurities. Cleaner provides a possibility to be operated up to 1,5 % density of cleaned stock. Cleaners MOVI VO usually run in multistage working station arranged according to actual on-site operating conditions.



MOVI SVU 20M

CLOSED CLEANER MOVI VU (SVU)

This cleaner is used particularly as an end part for final sorting of reject in multistage stations of opened cleaners in waste paper processing lines, in PM approach part, in mechanical pulp mills and the like for minimisation of final volume of reject.

Machine design and work safety are in compliance with EU standards.

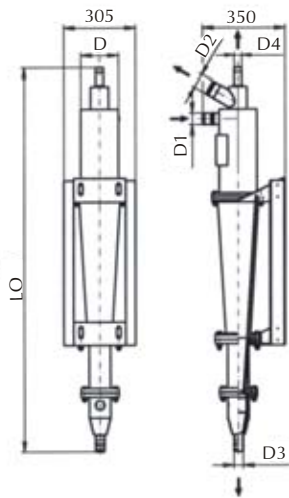
- low energy consumption
- low pressure loss
- simple operation
- long service life of all parts
- resistance against fouling
- high cleaning efficiency, operating flexibility and reliability
- unified unit-built design

Advantages

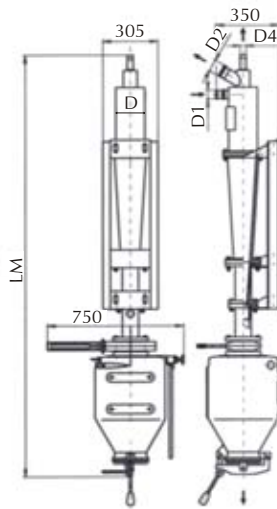
TECHNICAL PARAMETERS

Type	Optimal throughput (l/min)	Heavy reject (l/min)	Light reject (l/min)	Consistency (max. %)	Loss in pressure (kPa)	Connecting sizes (mm)							Machine weight (kg)	
						LO	LA	LM	D	D1	D2	D3*)		D4
MOVI VO 15-12	340 - 450	20 - 35	25 - 40	1,3	100 - 180	1 630	-	-	150	50	63	40	G1"	50
MOVI VO 15-22	520 - 650	30 - 50	30 - 50	1,5	120 - 190	1 650	-	-	150	63	80	63	G1"	50
MOVI VU 15-12	340 - 450	-	25 - 40	1,3	100 - 180	-	2 090	2 240	150	50	63	-	G1"	175
MOVI VU 15-22	520 - 650	-	30 - 50	1,5	120 - 190	-	2 210	2 260	150	63	80	-	G1"	175
MOVI SVU 20	1 400 - 1 800	-	50 - 80	1,6	80 - 150	-	-	3 000	200	DN80	Ø 100	-	G1 1/4"	220

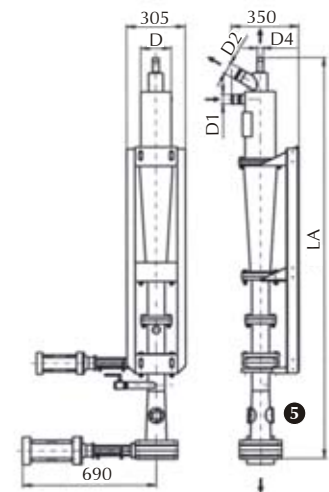
*) hose inside diameter



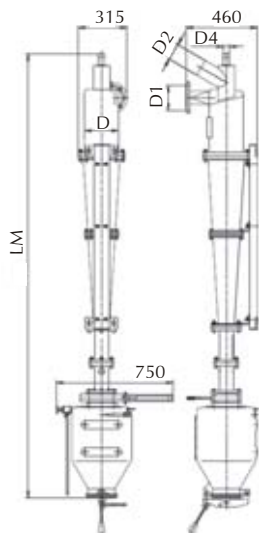
MOVI VO 15-12



MOVI VU 15-12M



MOVI VU 15-12A



MOVI SVU 20M

Main parts

- own cleaner: input body - head (1), working body - cone (2)
- separating body with sight glass (3)
- bearing frame for attachment of cleaner to stand (4)
- collecting box with pneumatic gate valves (automatic control) (5)
- collecting box (mechanical control) (6)

